

Access Control  
Video Surveillance  
Payroll  
Time Attendant  
Workforce Management

Enterprise-wide Deployment  
Real-time Communication  
Biometric Authentication

## Biometric and RFID web and cloud-based readers

*Hassle-free, easy to install*

*The Leading Web and Cloud-based, Biometric and RFID Smartcard Platform for Enterprise-Wide Solutions in ID Management*



The ACTAtetek Combination Unit is one of the most popular choices as a all-in-one access control, video surveillance, time attendant, payroll, security and work force management solutions.

Easy-to-use, with no software installation required, and a efficient network connection makes this a simple yet sophisticated enterprise-wide platform solution for many system-level software applications.

By combining biometric fingerprint, RFID smartcard, pin (keypad) and a CMOS camera, IT managers, security directors and HR will be able to select multiple ways for users to authenticate. A choice of smartcard readers is offered, enabling legacy card systems to be part of this new platform solution.

An IP65 certified product operating over the extended temperature range, this unit will continue to deliver even in extreme weather conditions.

### Five Modes of Authentication :

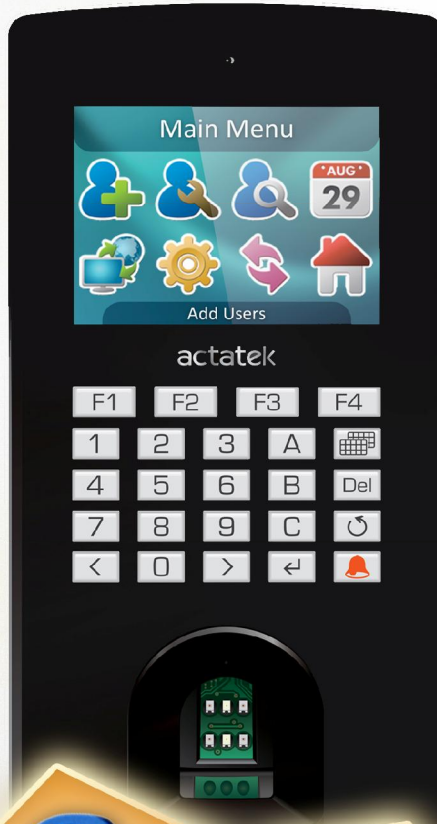
1. Fingerprint only
2. Smart Card only or Barcode only
3. Smart Card + Fingerprint or Barcode + Fingerprint
4. ID + Fingerprint, and
5. ID + PIN.

### Add-ons available:

- Smart cards and fobs
- WiFi Adaptor
- Power Over Ethernet (PoE) splitter
- Mobile Battery Kit
- V200 GSM Gateway
- UPS

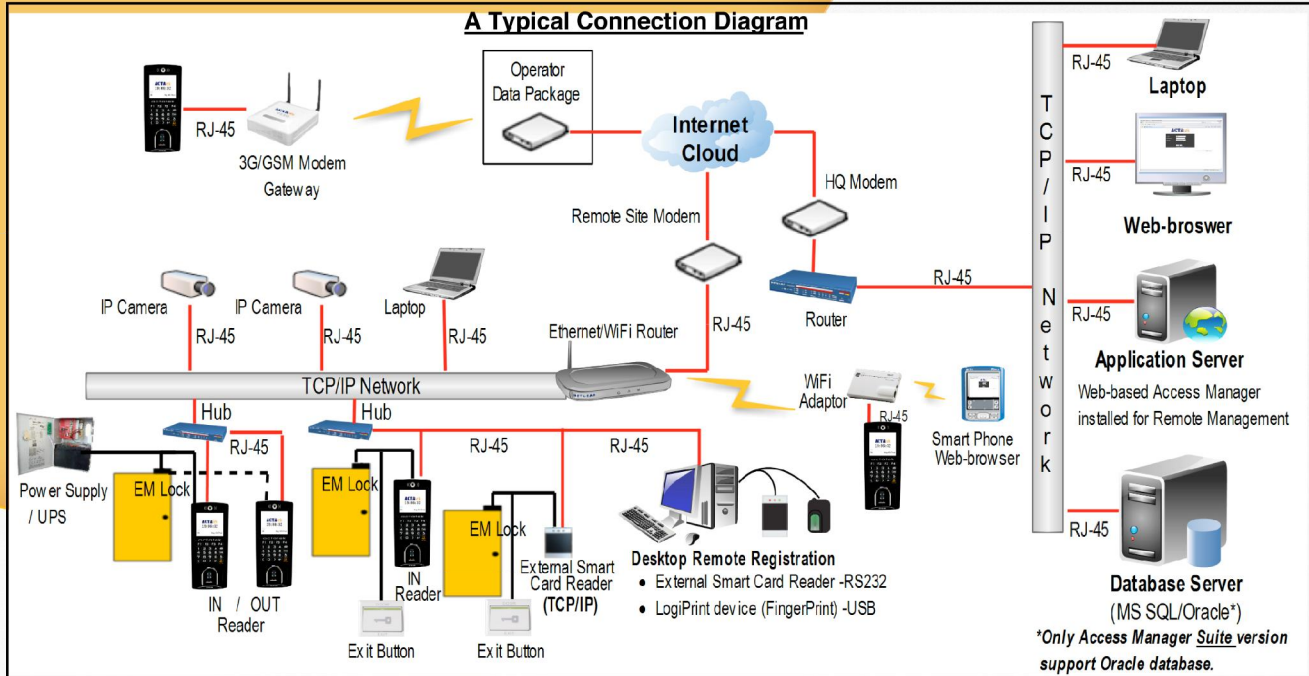
FC CE SAS IEC6095  
IP65(Water Proof& Impact Resistant)

FROST & SULLIVAN  
"2010 World Biometrics Vertical Market Penetration Leadership Award "



ACTAtetek3 Model: Smartcard / Fingerprint CMOS Camera + Keypad

**A Typical Connection Diagram**



### Standard Features

Model:	Fingerprint only	Smartcard only	Fingerprint + Smartcard	Keypad + CMOS camera
Fingerprint enrollment	✓	✗	✓	✗
Built-in smartcard reader	✗	✓	✓	✗
Built-in web and database server	✓	✓	✓	✓
Number of users	1k/3k/5k 10k/15k/20k	1k/3k/5k 10k/15k/30k	1k/3k/5k 10k/15k/20k	1k/3k/5k 10k/15k/30k
Max. transaction records stored	75000 log for 1k, 3k, 5k user model 10000 log for 10k, 15k, 20k, 30k user model			
Static IP address assignment	✓	✓	✓	✓
Dynamic IP address assignment	✓	✓	✓	✓
Power Over Ethernet (Built-in)	Available on certain models only			
Resolution of LCD	2.8" 64K/256K colour TFT screen 320 x 240 pixel resolution			
Non-volatile memory	256MB			
Computer OS support (with Internet browser)	Mac OS Windows 95/98/NT/2000/XP/Vista/Win7 Windows Mobile Android iPhone OS Linux PC Unix Machine			
Valid characters for employee ID	0-9, A-C (max. 16 characters)			
Programmable function keys support	F1, F2, F3, F4			
Authentication time	< 1 second			
Auto-match users	1:500 (1:N) FAM model (compatible with ACTA2) 1:3000 (1:N) FLI model			

Distributed by:

Model:	Fingerprint only	Smartcard only	Fingerprint + Smartcard	Keypad + CMOS camera
Database interface support	ODBC / JDBC			
Encryption	Secure Socket Layer (SSL)			
Multi-lingual support	✓	✓	✓	✓
Network interface	100BaseT Ethernet (built-in) / SNMP support GSM/GPRS, Wi-Fi (*additional device is required)			
I/O interface	RS-232/RS-485 Wiegand 26bit output (Optional: External I/O board)			
Export Report	CSV / Text file			
Remote Control	✓	✓	✓	✓
Operation temperature	-20°C to 50°C			
Modules	CPU / Fingerprint Mifare / Legic HID Proximity HID iClass / FeliCa EM CEPAS Card (Singapore) CMOS/Video camera (Optional) RFID card 13.56MHz ISO14443A/B ISO15693 125kHz 13.56MHz Colour LCD & keypad			
Modes of authentication	Fingerprint, Smartcard, PIN ID + Fingerprint Smartcard + Fingerprint Smartcard + PIN			
Mobile	Optional mobile battery			
Relay support	1 relay			
Safety standard/Casing	CE, FCC, IP65-fluid ingress, dust, salt, fog protection (*available on certain models only)			
Software support	ACTAtek Agent / ACTAtek Access Manager** (Standalone) (Networkable)			

\*\*ACTAtek Access Manager:

**Software Requirements**

- Windows Server 32bit/64bit or Vista 32bit/64bit
- Microsoft SQL Server for Database Server , SQL Server 2005 and 2008 is supported
- Microsoft .Net 3.5 runtime

**Hardware Requirements (Minimum)**

- CPU: Intel Core 2 Duo 2.6GHz or higher
- Memory: 4GB
- Storage: 20 GB free
- Ethernet: 100 Base-T

(Note: Access Manager -SOAP/API will be provided for 3rd party integration.)