



# ACTatek™ - FINGERPRINT SECURITY & TIME ATTENDANCE SYSTEM

info@actatek.com

## Biometrics Secure Access Control & Attendance System

The ACTatek™ platform uses latest proprietary 500 dpi Optical Scanning Technology, taking advantage of next-generation recognition algorithms that ensure on accuracy and set us a step above standard fingerprint technologies available today.

A basic advantage of using fingerprint recognition technology over other traditional security systems, such as swipe cards or PIN, is that a fingerprint cannot be lost or even stolen. All images are converted to encrypted binary data as soon as a user is registered into the system.

ACTatek™ supports up to 20,000 users in different models. All user information, including fingerprint data is stored in the built-in database or transfer to smart card.

There are 3 access methods: ID + Fingerprint, ID + PIN & Fingerprint only. This gives an option of which access methods to use during authentication. A significant feature considering some people may have difficult to read or damaged fingerprint minutiae data. Moreover, all fingerprint information captured by the units is encrypted to prevent any data theft.

In addition to the unbeatable fingerprint technology, to add the security feature of this system, there is an optional built-in CMOS camera installed above the LCD screen. This takes a snapshot for every successful or rejected attempt and stores in database, as it does with other time-stamp information. This allows you to know who the rejected user was, whether it was an employee trying to gain entry, or whether it was an intruder.

All event records can be viewed via the web interface from anywhere at anytime through any standard web browser!



### FEATURES & BENEFITS

- ▶ 2 Access Methods: Fingerprint and PIN.
- ▶ Operates in Standalone or Network modes.
- ▶ Encrypted Communication
- ▶ All Software & Hardware are built-in
- ▶ IP-rated weather & impact resistant casing.
- ▶ Multi-Lingual interface - supports English, Spanish, Chinese, Arabic, German, Thai, Korean, Polish, Portuguese & Croatian - More in future releases!
- ▶ Maximum number of fingerprint template of 60,000
- ▶ Maximum Transaction storage of 75,000 records.
- ▶ 1:1 & 1:N verification methods.
- ▶ Control, configure & administer via web interface.
- ▶ Real time system update and configuration.
- ▶ Integration with Weigand 26-bit & 40-bit output.
- ▶ Optional Built-in CMOS camera.
- ▶ Optional Wi-Fi support.
- ▶ Optional secure external relay.

### Scanner Technical Specifications

| Features                             | Technical Specification          |
|--------------------------------------|----------------------------------|
| <b>Fingerprint Image Resolution:</b> | 500DPI                           |
| <b>False Rejection Rate (FRR):</b>   | 0.01%                            |
| <b>False Acceptance rate (FAR):</b>  | 0.0001%                          |
| <b>Allowed Fingerprint Rotation:</b> | + / - 15 Degrees                 |
| <b>Matching Speed:</b>               | 0.05 second                      |
| <b>Scanning Speed:</b>               | Less Than a second               |
| <b>Number of Minutiae Taken:</b>     | 30-60 depending on Quality Level |
| <b>Operation Temperature:</b>        | -20 to +60 Degrees Celsius       |

### Good Vs Bad captured Fingerprint Image

A good fingerprint image is one in which the core of the fingerprint is well-defined and easily recognizable. The core of a finger is defined as the "point located within the inner most recurring ridge". It is normally located in the MIDDLE of the fingerprint. It is therefore critical when enrolling that you place the finger on the scanner where the entire core can clearly be seen.

An example of a good & bad Image is displayed as follows:



IP65 CASING



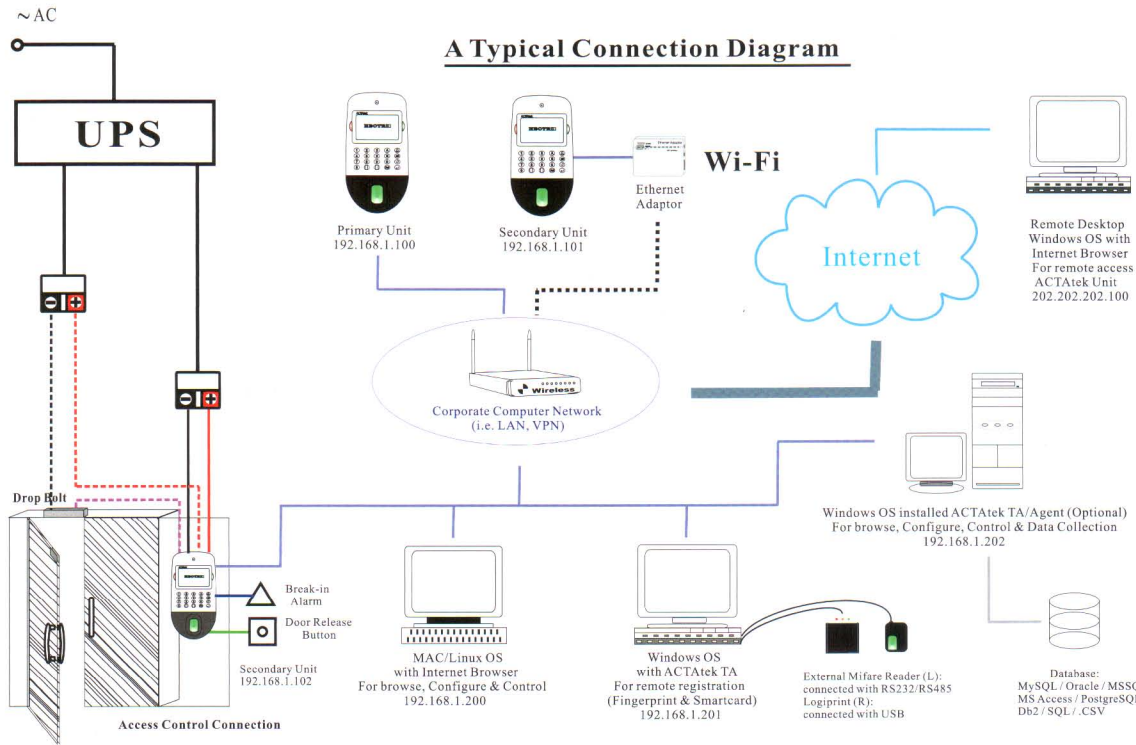
Good Image: A reading where the whole fingerprint core can be seen clearly.



Bad Image: An image where the crackles & displacement of the fingerprint core decries it unrecognizable.

# Access Control / Time Attendance

**A Typical Connection Diagram**



## Standard Features

| Model:   | Fingerprint only  | Smartcard only          | Fingerprint + Smartcard | Keypad + CMOS camera    |
|--|---|-------------------------|-------------------------|-------------------------|
| Fingerprint enrollment                                     | ✓   | ✗                       | ✓                       | ✗                       |
| Built-in smartcard reader                                  | ✗   | ✓                       | ✓                       | ✗                       |
| Built-in web and database server                           | ✓   | ✓                       | ✓                       | ✓                       |
| Number of users  | 1k/3k/5k<br>10k/15k/20k   | 1k/3k/5k<br>10k/15k/30k | 1k/3k/5k<br>10k/15k/20k | 1k/3k/5k<br>10k/15k/30k |
| Max. transaction records stored                            | 75000 log for 1k., 3k, 5k user model<br>10000 log for 10k, 15k, 20k, 30k user model |                         |                         |                         |
| Exchange information between devices (Primary / Secondary) | ✓   | ✓                       | ✓                       | ✓                       |
| Static IP address assignment                               | ✓   | ✓                       | ✓                       | ✓                       |
| Dynamic IP address assignment                              | ✓   | ✓                       | ✓                       | ✓                       |
| Dimension of LCD (inches x inches)                         | ✓   | ✓                       | ✓                       | ✓                       |
| Non-volatile memory  | 128/256MB   |                         |                         |                         |
| Computer supported (with internet browser)                 | Mac OS<br>Windows 95/98/NT/2000/XP/Vista<br>Pocket PC<br>Linux PC<br>Unix Machine   |                         |                         |                         |
| Valid Characters for employee ID                           | 0-9, A-C (max. 16 charaters)  |                         |                         |                         |
| Authentication time  | < 1 second  |                         |                         |                         |

Distributed by:

| Model:                     | Fingerprint only   | Smartcard only   | Fingerprint + Smartcard                                      | Keypad + CMOS camera |
|----------------------------|--|--|--|----------------------|
| Database interface support | ODBC / JDBC  |  |  |                      |
| Encryption                 | Secure Socket Layer  |  |  |                      |
| Multilingual support       | ✓  | ✓  | ✓  | ✓                    |
| Network interface          | 10BT Ethernet (Built-in)<br>GSM/GPRS, Wi-Fi, Modem   |  |  |                      |
| Expansion                  | RS-232/RS-485<br>Weigand   |  |  |                      |
| Operation mode             | Primary/Secondary mode   |  |  |                      |
| Programming API            | SOAP API   |  |  |                      |
| Report                     | ✓  | ✓  | ✓  | ✓                    |
| Remote Control             | ✓  | ✓  | ✓  | ✓                    |
| Operation temperature      | -20°C to 60°C  |  |  |                      |
| Modules                    | CPU/Fingerprint<br>Mifare / Legic<br>HID Proximity<br>HIDiClass / FeliCa<br>EM / Contact card<br>LCD & Keypad<br>CMOS Camera | CPU/Fingerprint<br>Mifare / Legic<br>HID Proximity<br>HIDiClass / FeliCa<br>EM / Contact card<br>LCD & Keypad<br>CMOS Camera | RFID Card<br>13.56MHz<br>ISO 14443A/B<br>and 15693<br>125kHz |                      |
| Modes of Authentication    | Fingerprint, Smartccard, PIN<br>ID + Fingerprint<br>Smartcard + Fingerprint<br>Smartcard + PIN                               |  |  |                      |
| Mobile                     | Optional mobile battery  |  |  |                      |
| Relay support              | 2 relays   |  |  |                      |
| Case                       | IP65 – fluid ingress, dust, salt, fog protection   |  |  |                      |
| Safety standard            | CE, FCC, IP65  |  |  |                      |
| Software standard          | SNMP Compliant<br>LDAP Compliant<br>(Available on certain models)  |  |  |                      |